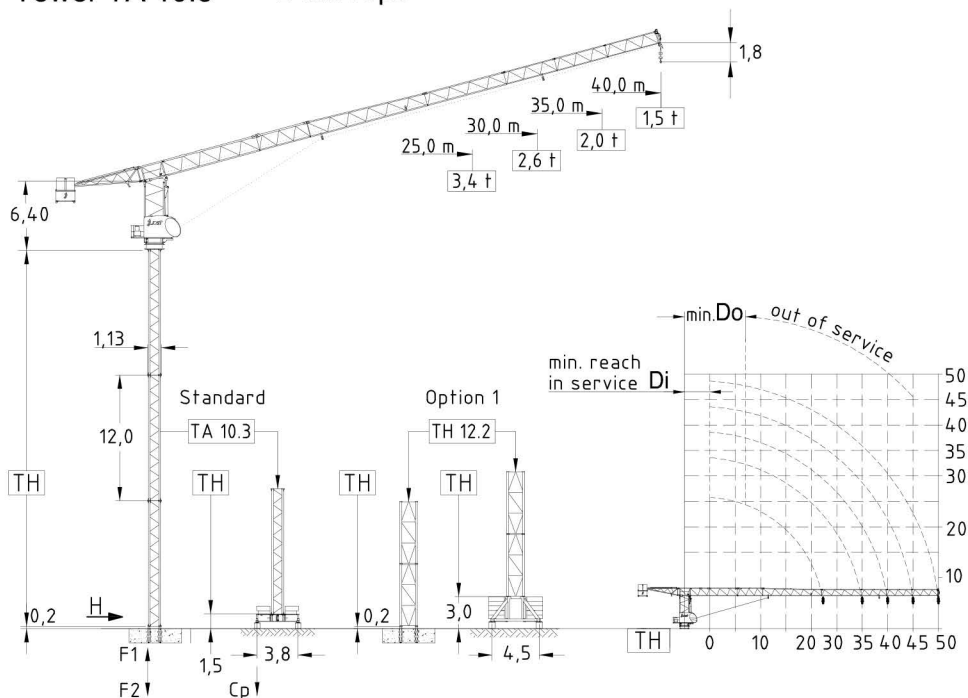


JTL 68.4 - 4,0 ton Tower TA 10.3 2-fall rope

Topless
Luffing crane



Jib (m)	Jib reach (m)		Tower heights all data in (m)			
			Standard Tower		Option 1	
	Di	Do	Foundat.	Chassis	Foundat.	Chassis
25,0	3,5	10,0	TH 10.3	FC 3,8-10.3	TH 12.2	UC 4,5-12.2
30,0	3,5	10,0	33,0	30,0	36,0	33,0
35,0	3,5	9,0	30,0	27,0	33,0	30,0
40,0	3,5	9,0	27,0	24,0	33,0	27,0

EN 14439 : 2008
WIND C 25
ISO 9001 : 2008



Jib		max. Load	Jib reach								
m	rope		t	15	18	20	22	25	30	35	40
40,0	2-fall	4,0	15,9	4,00	3,52	3,15	2,85	2,49	2,05	1,74	1,50
35,0	2-fall	4,0	18,2	4,00	4,00	3,62	3,28	2,86	2,36	2,00	
30,0	2-fall	4,0	19,9	4,00	4,00	3,98	3,60	3,15	2,60		
25,0	2-fall	4,0	21,4	4,00	4,00	4,00	3,89	3,40			

Hoist 22,0 kW FI		FI					
t	v	1,2	1,8	2,8	4,0	4,0	4,0
	m/min	62	51	41	31	26	15

Drum capacity 280,0 m

Hoist 30,0 kW FI		FI					
t	v	0,7	1,0	1,6	2,4	3,0	3,0
	m/min	124	114	90	68	58	32

Drum capacity 580,0 m

Power requirement
400V (±10%) - 50Hz

Motor	7,5 kW FI	1 x 2,0 kW	2 x 3,0 kW
t/v	2,0 min	0,77 rpm	25,0 m/min
Power requirement		Hoist 22,0 kW	45 kVA
Upper part		Hoist 30,0 kW	55 kVA

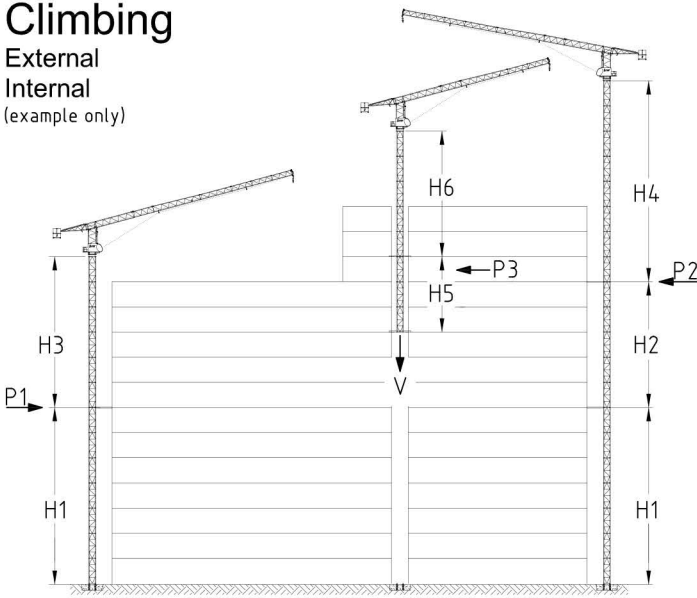
Shipping		
	Truck	Cont.
Top crane	4	5
Tower 2 units	1	1
Climbing	1	1
Chassis	1	1

Counter weight	
Block 1	3 x 4,0 t
Block 2	1 x 1,0 t
Total	13,0 t

Ropes		
	D (mm)	N/mm ²
Hoist	12,0	1960

Climbing

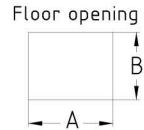
External
Internal
(example only)



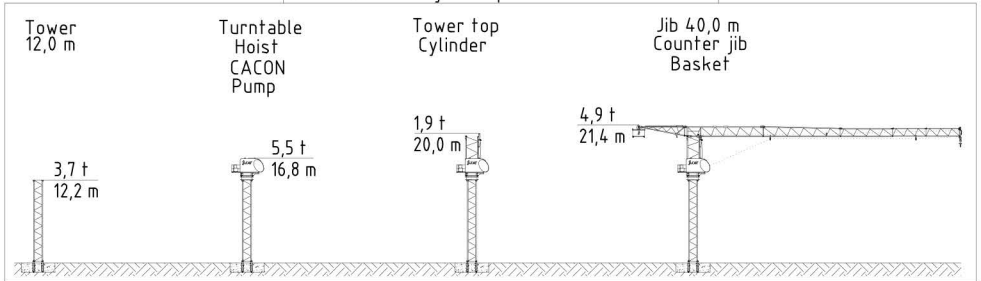
	m	in service	out of service
		t	t
H1	30,0		
H2	18,0		
H3	24,0		
H4	24,0		
H5	14,0		
H6	21,0		
A	2,00		
B	1,60		
P1		63,0	239,3
P2		78,1	238,3
P3		93,1	269,3
V		425,4	375,4

All data with TH 12.2

Jib length 25,0 m



Assembly sequence TA 10.3



Crane on foundation plate

Jib length (m)	Tower height (m)	No. of Towers	Foundation loadings			Corner forces	
			M	V	H	F1	F2
			(kNm)	(kN)	(kN)	(kN)	(kN)
40,0	27,0	4,5	2846,0	327,1	93,5	1853,0	- 2016,0
35,0	30,0	5,0	2904,0	348,1	91,9	1918,0	- 2092,0
30,0	30,0	5,0	2947,0	327,9	92,1	1962,0	- 2126,0
25,0	33,0	5,5	2741,0	325,9	88,3	1730,0	- 1892,0

Crane on chassis

Jib length (m)	Tower height incl. chassis (m)	No. of Towers	in service		out of service		Ballast (t)
			Cp	H	Cp	H	
			(kN)	(kN)	(kN)	(kN)	
40,0	21,0	3,5	547,0	25,6	856,0	93,5	65,0
35,0	24,0	4,0	584,0	25,4	879,0	96,6	75,0
30,0	27,0	4,5	614,0	24,2	901,0	96,7	85,0
25,0	30,0	5,0	613,0	22,9	904,0	96,9	90,0

Part list

Part	L (m)	W (m)	H (m)	kg	Part	L (m)	W (m)	H (m)	kg
Jib 01	11,29	0,94	1,54	1785	Hoist unit & rope	1,39	1,85	0,60	820
Jib 02	8,02	0,90	1,32	800	Turn table+slew.unit	2,15	1,80	1,85	2820
Jib 03	11,79	0,90	1,30	810	Tower top	5,50	0,96	1,80	1265
Jib 04	5,15	0,90	1,06	270	CACON & hydraulic	4,35	1,50	2,60	1600
Jib 05	5,12	0,90	1,05	195	Ballast basket	1,76	2,04	1,64	430
Jib 06	5,11	0,90	1,04	165	Hook block	0,82	0,35	1,10	140
Jib end	1,38	0,90	0,90	140					